

Electric Reach Stacker

Model:
CQDH15A-II
CQDH20A-II
Magnetic Valve Control

AC

EPS
option



No foot pedal & guard



Option: Double scissors forks

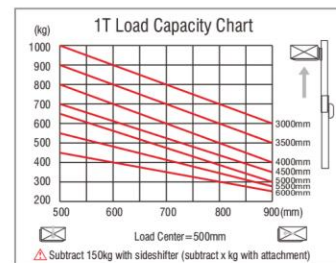
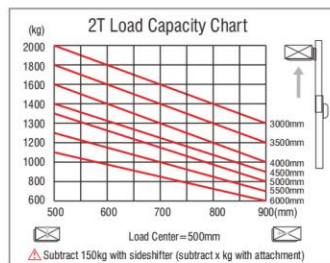
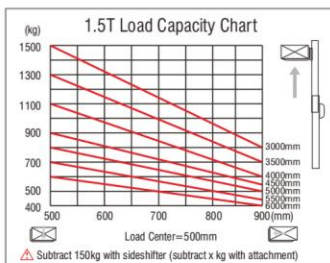
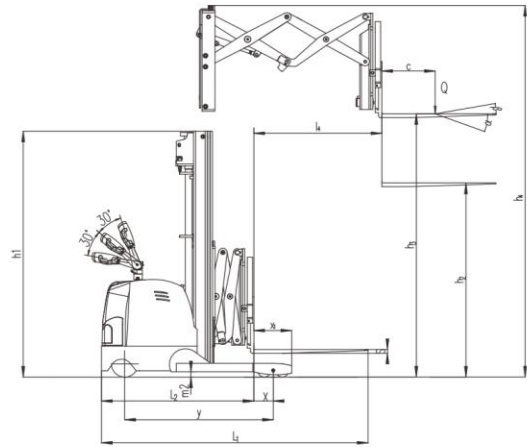
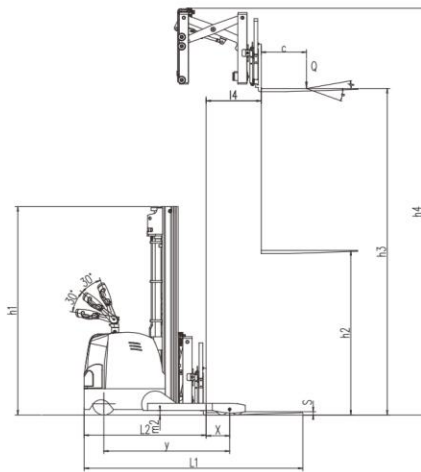
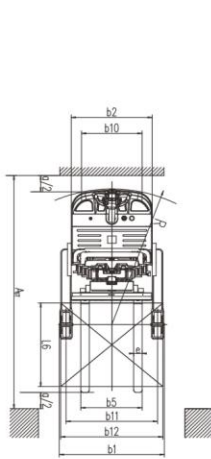


Frei Tiller Head

CQDH15A-II /CQDH20A-II without platform

1KG=2.205LB 1INCH=25.40MM

Model	CQDH15A-II (single scissor)		CQDH20A-II (single scissor)		CQDH15A-II (double scissor)		CQDH20A-II (double scissor)	
Load capacity/rated load	Q(kg)		1500		2000		1000	
Load centre distance	c(mm)		500		500		500	
Load distance, centre of drive axle to fork	x(mm)		269/248		265/262		150	
Tyre size, front	mm		φ 250x80		φ 250x80		φ 250x80 + 150x62x2	
Tyre size, rear	mm		φ 125x82X2		φ 125x82X2		φ 125x82X4	
Wheels, number front/rear(x=driven wheels)			1x+2/4		1x+2/4		1x+2/4	
Forks, tilt forward/back	°		2/5		2/5		2/5	
Height, mast lowered	h(mm)		1619/1869/2119/2369/2619		1625/1875/2125/2375/2625		2185/2345/2505	
Free lift	h(mm)		1575/1700/1825/2000		1575/1700/1825		~ / ~ / ~	
Max. lift height	h(mm)		2000/2500/3000/3500/4000		4500/5000/5500/6000		2000/2500/3000/3500/4000	
Height, mast extended	h(mm)		2881/3381/3881/4381/4881		5381/5881/6381/6881		2897/3397/3897/4397/4897	
Overall length	l(mm)		2389		2430		2450	
Length to face of forks	l(mm)		1319		1360		1380	
Overall width	b/b(mm)		1220/950		1300/950		1220/950	
Fork dimensions	s/e/l(mm)		35/100/1050		40/100/1050		35/100/1070	
Reach distance	l(mm)		500		500		1200	
Aisle width, with pallet 1000x1200 crosswise	A(mm)		2733		2770		2828	
Aisle width for pallets 800x1200 lengthways	A(mm)		2800		2840		2896	
Turning radius	W(mm)		1588		1608		1879	
Travel speed, laden/unladen	Km/h		4.8/5		4.8/5		4.8/5	
Lift speed, laden/unladen	m/s		0.095/0.12		0.08 (no side shift)/0.095/0.12		0.095/0.12	
Lowering speed, laden/unladen	m/s		0.2/0.15		0.2/0.15		0.2/0.15	
Battery voltage, nominal capacity k5	V/Ah		24/320(460)		24/490(525)		24/320	
Battery weight	kg		285(360)		380		285	
Battery dimensions	mm		812x324x535 / 812x324x575		774x332x580 / 776x334x580		812x270x535	
Service weight (with battery)	kg		2250/2250/2300/2350/2350		2500/2550/2600/2650		2450/2450/2500/2550/2550	
							2700/2750/2800	
							2330/2380/2380	
							2530/2580/2630	
							2530/2580/2580	
							2730/2780/2830	



Electric Pallet Truck

Electric Stackler

Order Picker

Narrow Aisle Truck

Electric Tow Tractor

Hand Pallet Truck

Manual Stackler

Lift Table