

SJ12/16

VERTICAL MAST LIFTS



STANDARD FEATURES

- Drivable at full height
- Variable speed, front two wheel hydraulic drive
- Zero inside turning radius
- Dual holding brakes
- Proportional controls
- 20" (0.51 m) Traversing platform
- 24V DC power source
- Low voltage battery protection
- 30% Gradeability
- Solid rubber, non-marking tires
- Pothole protection system
- 110V AC outlet at platform with GFI
- 28 mph wind rating (12.5 m/s)
- Tilt alarm with drive & lift cut-out
- All motion audible alarm
- Lanyard attachment points
- Operator horn
- Lift rings/tie downs
- Chain entrance
- Relay based control system
- Color coded and numbered wiring system
- Telematics ready

ACCESSORIES AND OPTIONS

- Dual flashing lights
- AC inverter
- AGM Batteries
- Full height spring hinged gate
- Saloon gate
- Light duty pipe rack/steel stud rack
- Tool tray
- Florescent tube carrier
- Bio oil
- Non destructive testing
- Warranty Options (3 year or 5 year plans available)

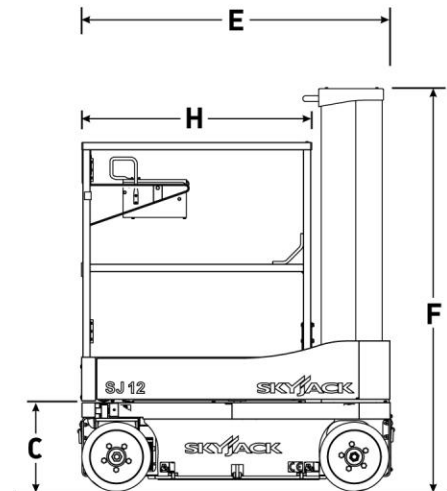
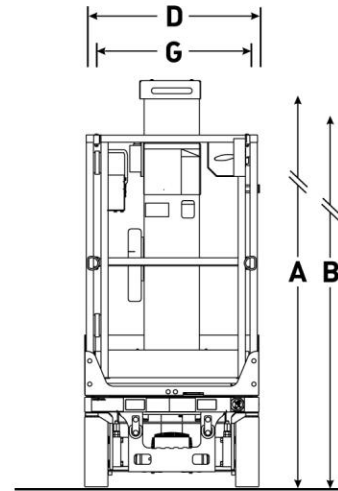
* Standard lead times may be increased when optional equipment is added, consult factory.

† Capacities, and machine weights may differ when options are added.

SJ12/16 VERTICAL MAST LIFTS

Dimensions	SJ12	SJ16
A Work Height	18' (5.48 m)	21'7" (6.58 m)
B Raised Platform Height	12' (3.65 m)	15'7" (4.75 m)
C Lowered Platform Height	18" (0.45 m)	18" (0.45 m)
D Overall Width	30.5" (0.77 m)	30.5" (0.77 m)
E Overall Length	54" (1.37 m)	54" (1.37 m)
F Stowed Height	70.3" (1.79 m)	70.3" (1.79 m)
G Platform Width (Inside Dimension)	27" (0.69 m)	27" (0.69 m)
H Platform Length (Inside Dimension)	36.8" (0.93 m)	36.8" (0.93 m)

Specifications	SJ12	SJ16
Ground Clearance (Stowed)	2.1" (5.33 cm)	2.1" (5.33 cm)
Ground Clearance (Raised)	0.63" (1.60 cm)	0.63" (1.60 cm)
Weight	1,720 lbs (782 kg)	2,130 lbs (966 kg)
Local Floor Load (with rated load)	101 psi (696 kPa)	120 psi (827 kPa)
Local Floor Load (no load)	80 psi (552 kPa)	92 psi (634 kPa)
Overall Floor Load (with rated load)	196 psf (9 kPa)	234 psf (11 kPa)
Gradeability	30%	30%
Turning Radius (Inside)	0	0
Turning Radius (Outside)	55" (1.40 m)	55" (1.40 m)
Lift Time (With Rated Load)	16 sec	20 sec
Lower time (With Rated Load)	14 sec	18 sec
Drive Speed (Stowed)	2.5 mph (4.0 km/h)	2.5 mph (4.0 km/h)
Drive Speed (Raised)	0.5 mph (0.80 km/h)	0.5 mph (0.80 km/h)
Maximum Drive Height	Full Height	Full Height
Capacity (Overall)	500 lbs (227 kg)	500 lbs (227 kg)
Maximum # of Persons	2	2
Wind Rating	28 mph (12.5 m/s)	28 mph (12.5 m/s)
Tire Type	Solid, N/M	Solid, N/M
Tire Size	12 x 4 x 8	12 x 4 x 8



Skyjack Head Office
 55 Campbell Rd. Guelph, ON Canada N1H 1B9
 Sales Inquiries: 1-877-755-4387 (1-877-SJLIFTS)
 Main Switchboard: 1-800-265-2738
 Phone: 519-837-0888
 Fax: 519-837-8104
 Email: skyjack@skyjack.com
 www.skyjack.com



PT. NATRACO TUNAS CITRA

Jl. Kerajinan No. 8, Jakarta 11130
 Phone : (021) 631 3333, 626 0083
 Fax : (021) 639 4243
 Email : admin.awp@natraco.co.id
 Website : www.natraco.co.id

